

# AM-5150

## Single-Point Hazardous Gas Monitor/Alarm for Ambient Air

Available for % LEL Combustible Gases, or ppm levels of CO, H<sub>2</sub>S, Hydrocarbons, Organic Solvents and other Toxic Gases

The AM-5150 features a rugged, long-life metal oxide semiconductor (MOS) sensor. The sensor is available either in a separate junction box for remote mounting up to several hundred feet from the monitor, or as an integral component attached to the instrument. The AM-5150 provides a digital display of gas concentrations, audio/visual alarms, relay contacts, plus analog and digital outputs.



Optional Remote Sensor with Junction Box

### MONITOR SPECIFICATIONS

<b>Range and Alarms:</b>	See table on back
<b>Alarm Levels:</b>	Three
<b>Alarm Adjustment:</b>	All three alarms are user adjustable
<b>Audible Alarm:</b>	105 dB at 30 cm (12 inches), factory set to activate at Alarm 1, user adjustable
<b>Visual Gas Alarm:</b>	3 Red LEDs
<b>Visual Power/Fault:</b>	Green/Red LED
<b>Display:</b>	8 Character, high contrast dot matrix LCD with backlight
<b>Temp. Range:</b>	32° to 122°F (0° to 50°C)
<b>Outputs:</b>	Relays: 4 Form C, 10A SPDT contacts, 3 gas alarms and 1 fault Analog: 4-20 mA Digital: RS-485 Modbus
<b>Power:</b>	100-240 VAC and/or 24 VDC, 15W
<b>Power Connection:</b>	Supplied with strain relief for 0.20 to 0.35 inch diameter cable
<b>Enclosure:</b>	Polycarbonate
<b>Size, Instrument Only:</b>	7 x 5 x 3 inches (18 x 13 x 8 cm)
<b>Weight:</b>	2 lbs. (0.9 kg)

### SENSOR SPECIFICATIONS

<b>Sensor:</b>	Metal oxide semiconductor (MOS)
<b>Response Time:</b>	t <sub>90</sub> = 30 to 180 sec., depending on type of gas and calibration
<b>Accuracy:</b>	+/- 15% of reading
<b>Temperature Range:</b>	-4° to +122°F (-20° to +50°C) for remote sensor
<b>Rating:</b>	Designed for Class 1, Groups A, B, C & D

### REMOTE SENSOR ASSEMBLY

<b>Enclosure:</b>	Aluminum
<b>Dimensions:</b>	6.7 x 4.4 x 3 inches (17 x 11 x 8 cm)
<b>Weight:</b>	4 lbs. (1.8 kg)
<b>Wiring:</b>	4-conductor; HV TYPE SENSORS: 16 AWG for up to 500 feet to monitor; LV TYPE SENSORS: 16 AWG for up to 50 feet to monitor; (for longer distances, consult factory)

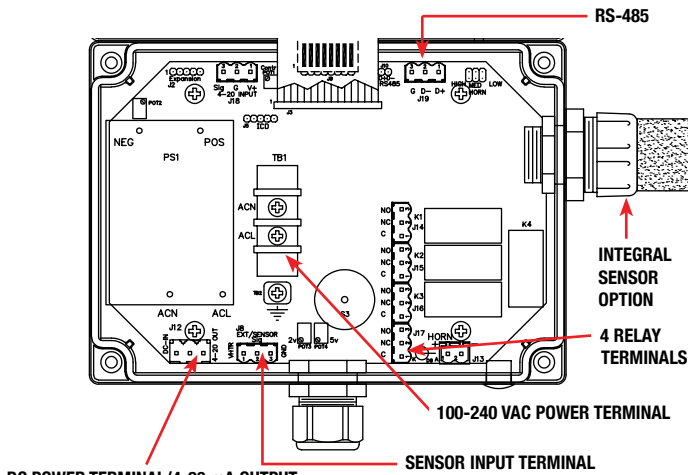
### FEATURES

- Compact Design
- Digital Display
- User Programmable Alarms & Relays
- 4-20 mA Output
- RS-485 Digital Communication Capability
- 100-240 VAC, 24 VDC Power Options
- "Intelli-Cal" Push-Button Calibration Procedure
- 3 Alarm Levels
- Protected Maintenance Functions
- Audio and Visual Alarms
- High Integrity Polycarbonate Enclosure
- High Capacity Relays
- Available with Remote or Optional Integral Sensor



# AM-5150 Hazardous Gas Monitor/Alarm

## INTERNAL FEATURES & OPTIONAL INTEGRAL SENSOR

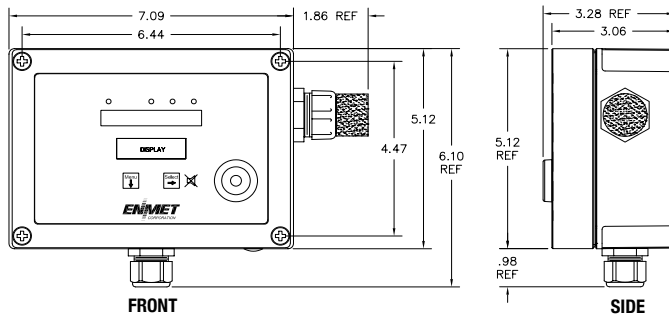


DC POWER TERMINAL/4-20 mA OUTPUT

Position	Function
1	+24 VDC power
2	GND
3	4-20 mA out

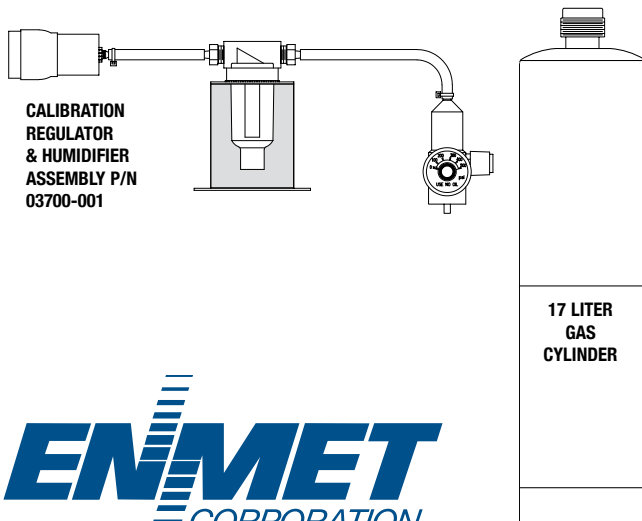
**NOTE:** Loss of primary power renders continuous gas monitors inoperative. Contact factory for specifications and pricing for backup battery systems compatible with ENMET monitors.

## DIMENSIONS IN INCHES

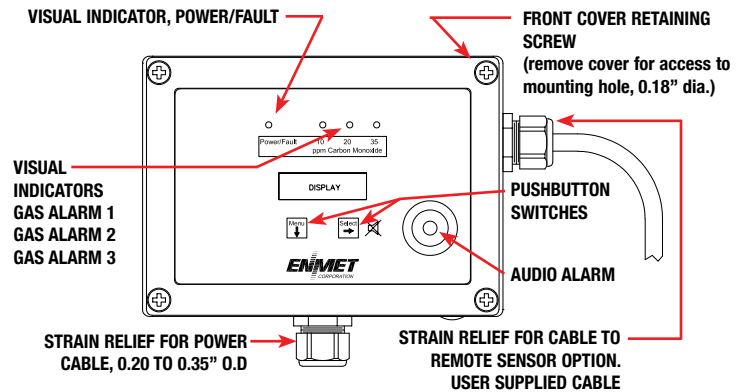


AM-5150 MONITOR WITH ATTACHED MOS SENSOR

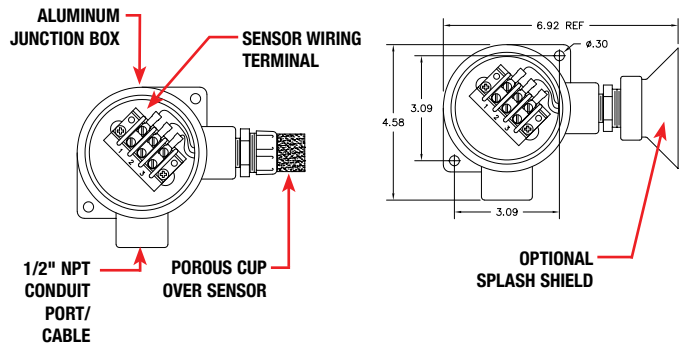
## CALIBRATION CYLINDERS AND HARDWARE



## EXTERNAL FEATURES



## OPTIONAL REMOTE SENSOR



## EXAMPLES, TYPICAL CONFIGURATIONS

GAS	rD*	RANGE	ALARM POINTS
Acetone	2.0	0-2000 ppm	500, 750, 1000 ppm
Butane	2.0	0-50% LEL	10, 20, 40% LEL
Carbon monoxide	1.0	0-200 ppm	25, 35, 100 ppm
Hydrogen sulfide	1.2	0-50 ppm	10, 15, 20 ppm
Isopropanol	2.1	0-400 ppm	100, 200, 300 ppm
Methane	0.6	0-50% LEL	10, 20, 40% LEL
Propane	1.6	0-50% LEL	10, 20, 40% LEL
R-134a	3.5	0-2000 ppm	500, 750, 1000 ppm

\*relative density compared to air at 1.0

## ORDERING INFORMATION

Instruments	Part No.
AM-5150 Monitor with remote HV sensor	10040-008
AM-5150 Monitor with integral HV sensor	10040-018
AM-5150 Monitor with remote LV sensor	10040-009
AM-5150 Monitor with integral LV sensor	10040-019

Calibration Gas & Hardware	Part No.
Calibration Regulator & Humidifier for 17 liter cylinder	03700-001
Calibration Gas, 17 liter	See Price List
Zero Gas, 20.9% O <sub>2</sub> , 17 liter	03296-209
Calibration Equipment Case	73083-000

