

# AM-5175

## Single-Point Hazardous Gas Monitor/Alarm for Ambient Air

Available for Carbon Monoxide (CO), Hydrogen Sulfide (H<sub>2</sub>S), or Oxygen (O<sub>2</sub>)

The AM-5175 provides a digital display of gas concentration, audio/visual alarms, relay contacts, plus analog and digital outputs. The monitor incorporates electrochemical CO, H<sub>2</sub>S or O<sub>2</sub> cells. Sensors for other gases may be available on request.



### MONITOR SPECIFICATIONS

<b>Alarm Levels:</b>	Three
<b>Alarm Adjustment:</b>	All three alarms are user adjustable
<b>Audible Alarm:</b>	105 dB at 30 cm (12 inches), factory set to activate at Alarm 1, user adjustable
<b>Visual Gas Alarm:</b>	3 Red LEDs
<b>Visual Power/Fault:</b>	Green/Red LED
<b>Display:</b>	8 Character, high contrast dot matrix LCD with backlight
<b>Temp. Range:</b>	32° to 122°F (0° to 50°C)
<b>Outputs:</b>	Relays: 4 Form C, 10A SPDT contacts, 3 gas alarms and 1 fault Analog: 4-20 mA Digital: RS-485 Modbus
<b>Power:</b>	100-240 VAC and/or 24 VDC, 15W
<b>Power Connection:</b>	Supplied with line cord and strain relief for 0.20 to 0.35 inch diameter cable
<b>Enclosure:</b>	Polycarbonate
<b>Size:</b>	7 x 5 x 3 inches (18 x 13 x 8 cm)
<b>Weight:</b>	2 lbs. (0.9 kg)

### FEATURES

- Compact Design
- Digital Display
- User-Programmable Alarms & Relays
- 4-20 mA Output
- RS-485 Digital Communication Capability
- 100-240 VAC, 24 VDC Power Options
- "Intelli-Cal" Push-Button Calibration Procedure
- 3 Levels of Alarms
- Protected Maintenance Functions
- Audio and Visual Alarms
- High-Integrity Polycarbonate Enclosure
- High-Capacity Relays

### SENSOR SPECIFICATIONS

Gas	Range	Alarm 1 (1)	Alarm 2 (1)	Alarm 3 (1)	LDL (2)	Life (3)
Carbon Monoxide, CO	500 ppm	35 ppm	50 ppm	200 ppm	4 ppm	2-3 years
Hydrogen Sulfide, H <sub>2</sub> S	100 ppm	10 ppm	20 ppm	50 ppm	4 ppm	2-3 years
Oxygen, O <sub>2</sub>	30.0% V	17% V	19.5% V	23.5% V	0.2% V	1.5-2 years

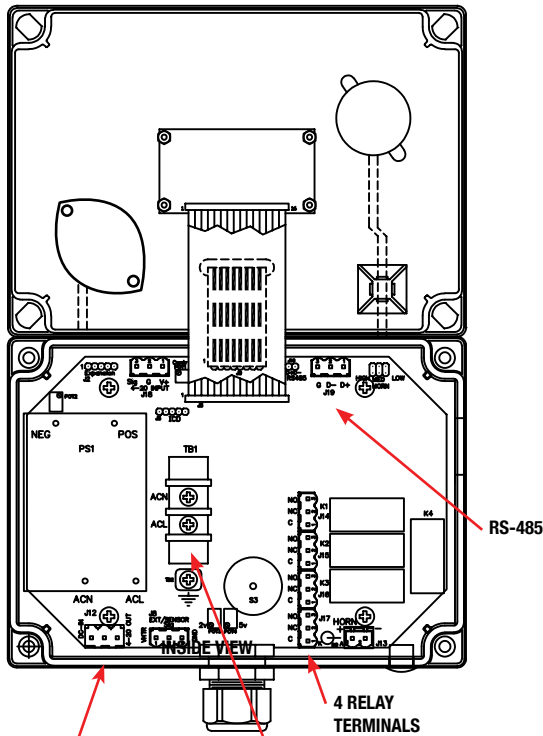
#### NOTES

- (1) Alarms are user adjustable
- (2) Lower Detectable Limit calculated from baseline noise level, thermal drift and interference data used to derive zero point deviation estimates.
- (3) Typical sensor life



# AM-5175 Hazardous Gas Monitor/Alarm

## INTERNAL FEATURES, COVER OPEN

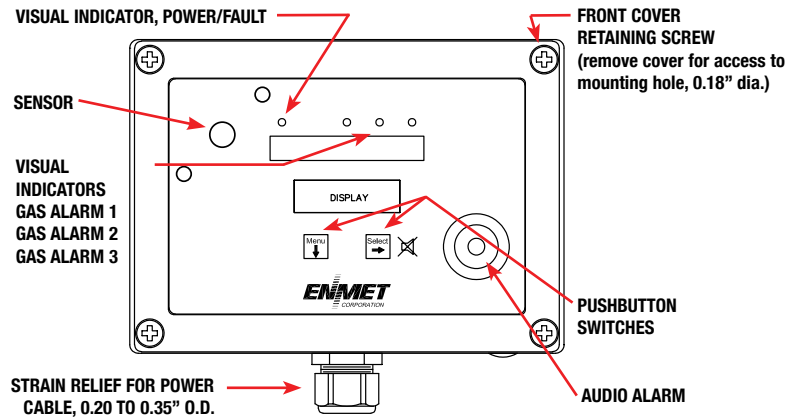


DC POWER TERMINAL/4-20 mA OUTPUT

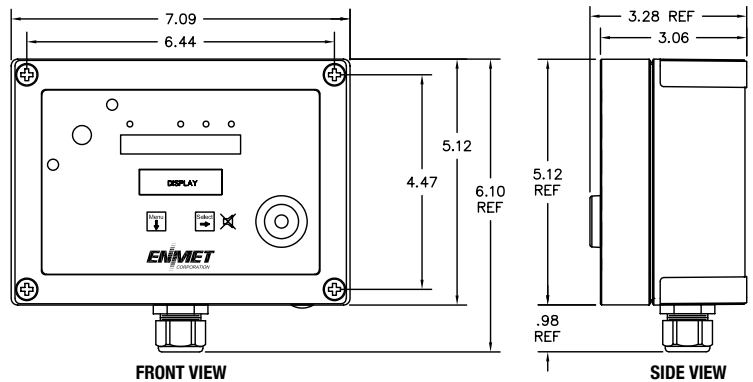
Position	Function
1	+24 VDC power
2	GND
3	4-20 mA out

**NOTE:** Loss of primary power renders continuous gas monitors inoperative. Contact factory for specifications and pricing for backup battery systems compatible with ENMET monitors.

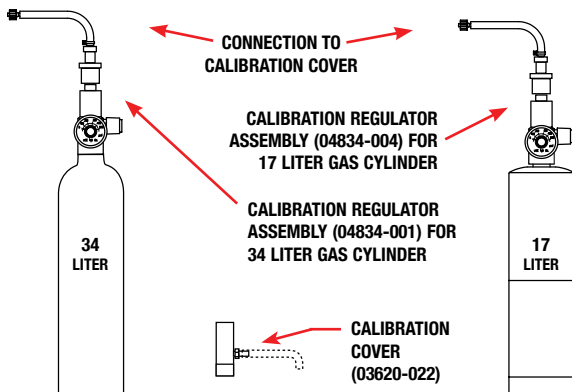
## EXTERNAL FEATURES



## DIMENSIONS IN INCHES



## CALIBRATION CYLINDERS AND HARDWARE



## ORDERING INFORMATION

### Instruments

Instruments	Part No.
AM-5175 Monitor, CO	10040-1200
AM-5175 Monitor, H <sub>2</sub> S	10040-0200
AM-5175 Monitor, O <sub>2</sub>	10040-1100

### Calibration Gas & Hardware

Calibration Regulator Assembly for 17 liter cylinder	04834-004
Calibration Regulator Assembly for 34 liter cylinder	04834-001
Calibration Cover	03620-022
Calibration Gas, 100 ppm CO, 17 liters	03219-100
Calibration Gas, 20.9% O <sub>2</sub> , 17 liters	03296-209
Calibration Gas, 20 ppm H <sub>2</sub> S, 34 liters	03314-020

